

FURRIION

RV CHEF COLLECTION

FSRI22LA-SS



Vibrationsmart
Designed and tested
for vibration resistance



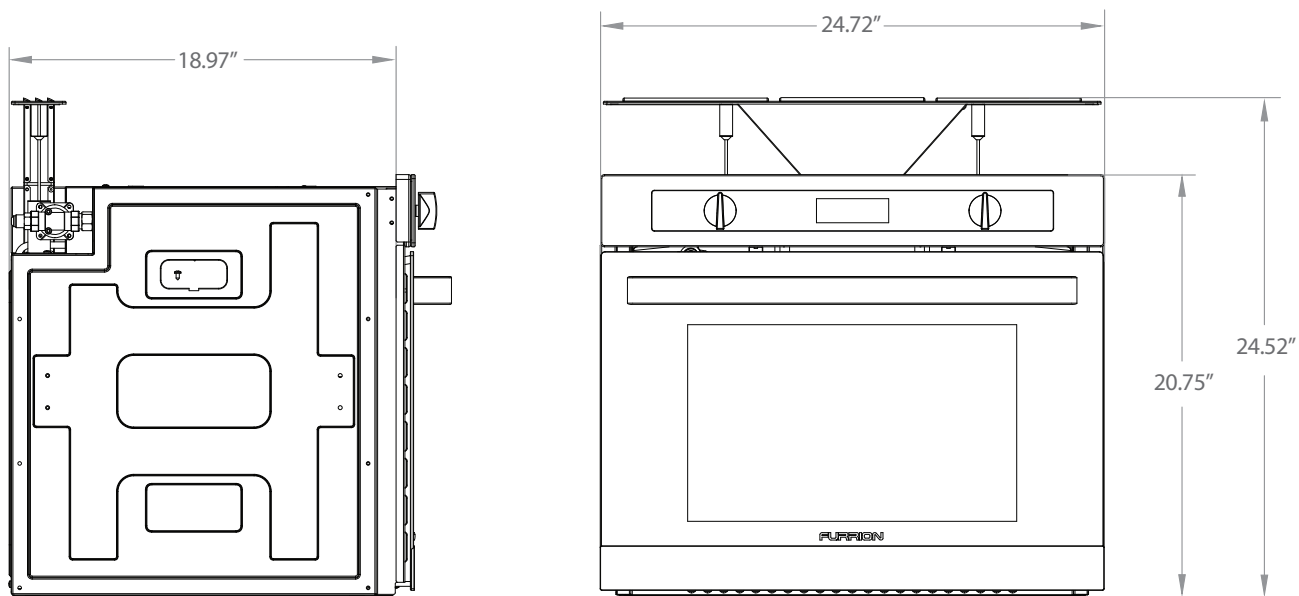
Climatesmart
Designed and tested
for extreme climates

STAINLESS STEEL BUILT-IN OVEN

The chef-inspired gourmet design combines function and dependability for a consistently delicious cooking result. With more usability than ever before, it's the world's first residential style oven engineered for recreational vehicle and mobile applications.

Integrating residential design with specialty vehicle functionality, the new RV chef collection™ delivers modern and cutting-edge kitchen appliances engineered for mobile applications. Crafted to perfection with Climatesmart™ and Vibrationsmart™ technology to ensure maximum product performance and safety on the move.

FURRIION.COM



Specification

Heat input	9000BTU
Pulse ignition	12VDC
Cooling fan	12VDC
Cavity light	12V
Rear venting cavity to countertop height	✓
LED Digital temperature display	✓
Gas safety cut off valve	✓
Manual timer	✓
Cordierite Tray	✓
Triple layer glass door	✓
LP regulator included	✓

Dimensions

Product Size	24.7" x 24.5" x 19.0"
--------------	-----------------------

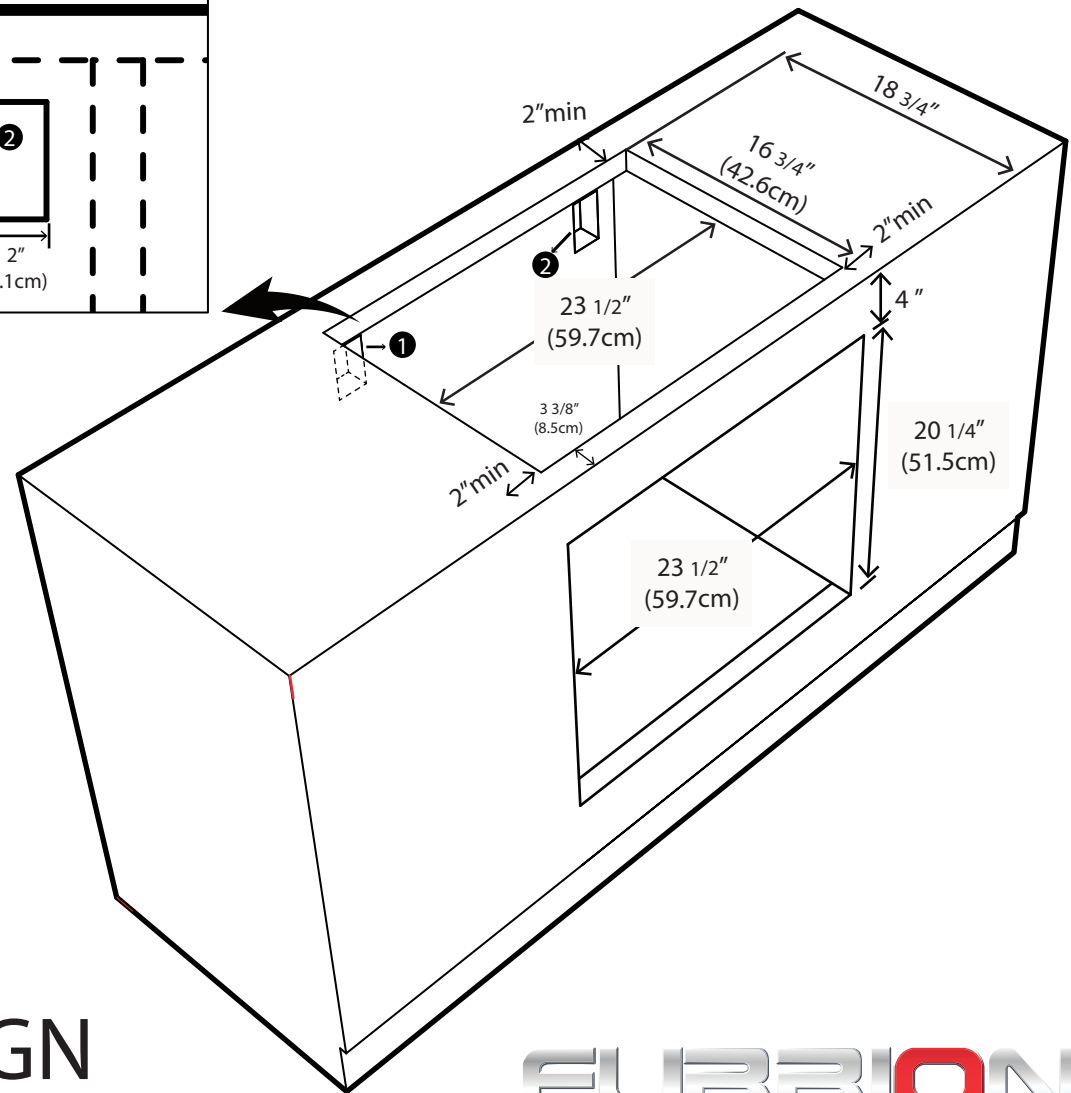
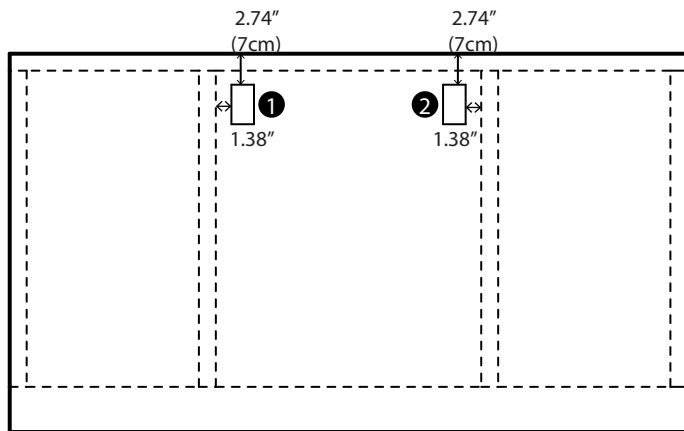
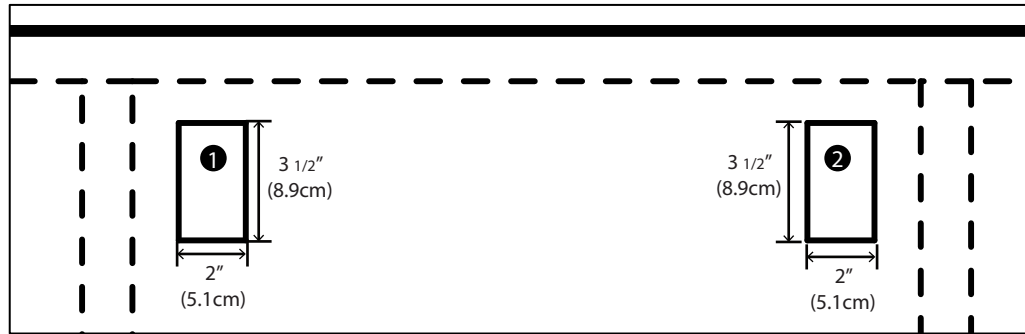
Packaging

Packaging type	Carton Box
Quantity per level 1 (pcs)	1
Packaging Dimensions	
Packaging Gross Weight (lb)	
Packaging Net Weight (lb)	



FURRION BUILT-IN OVEN & COOK TOP INSTALLATION

- 1 gas pipe Connect hole
- 2 12V DV power connect hole

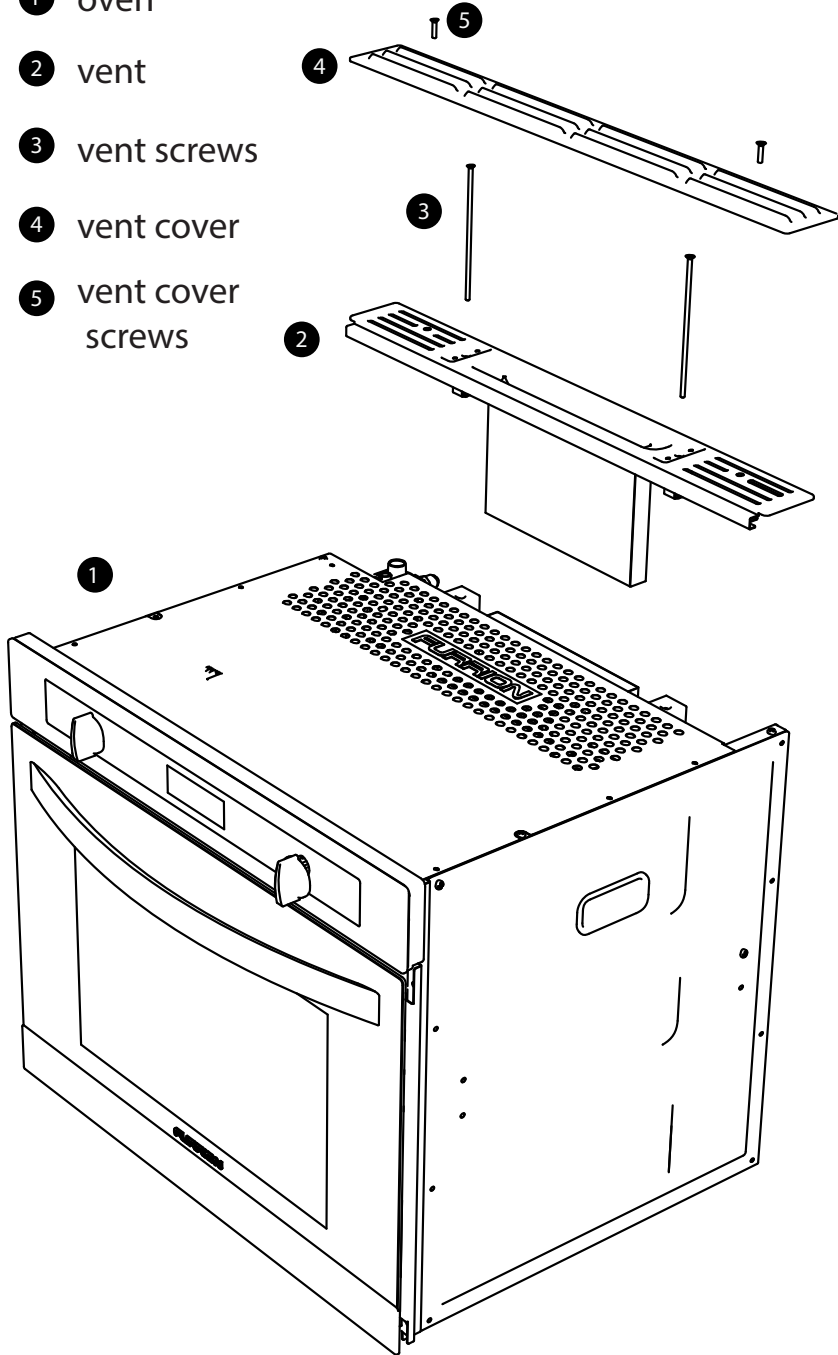


STEP 1 - CABINET DESIGN

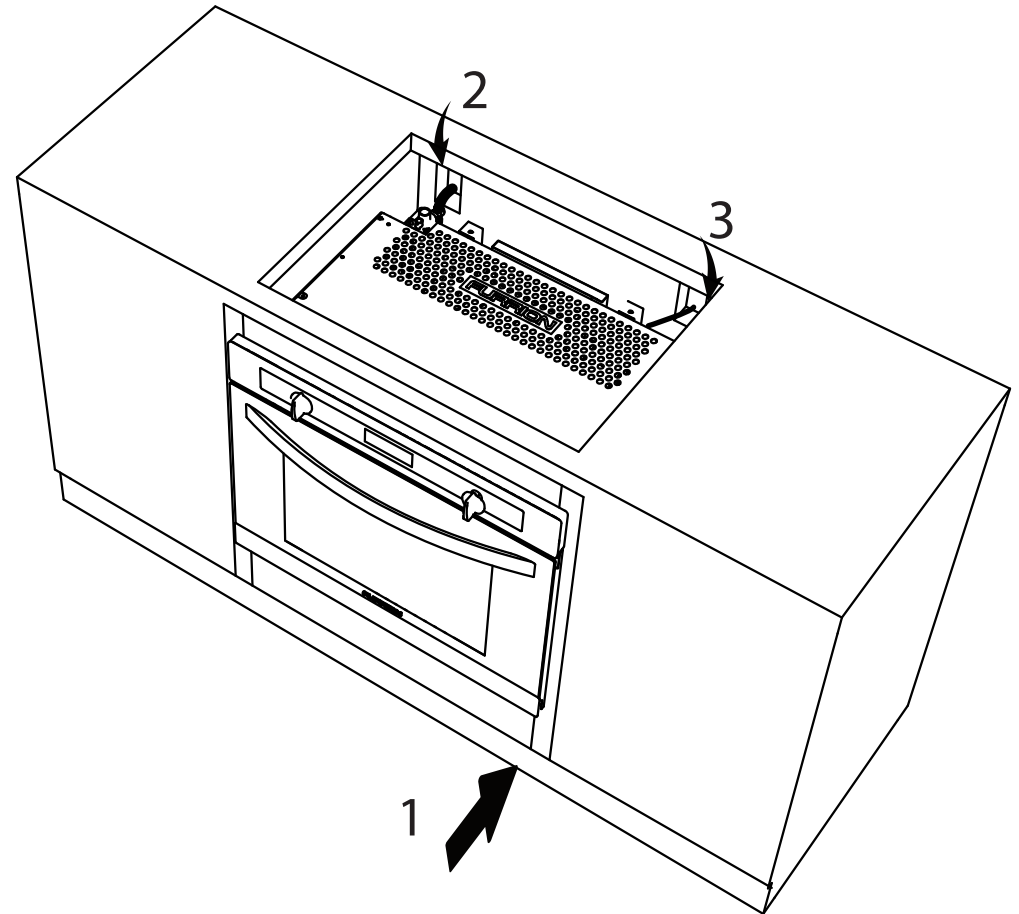


Parts of oven

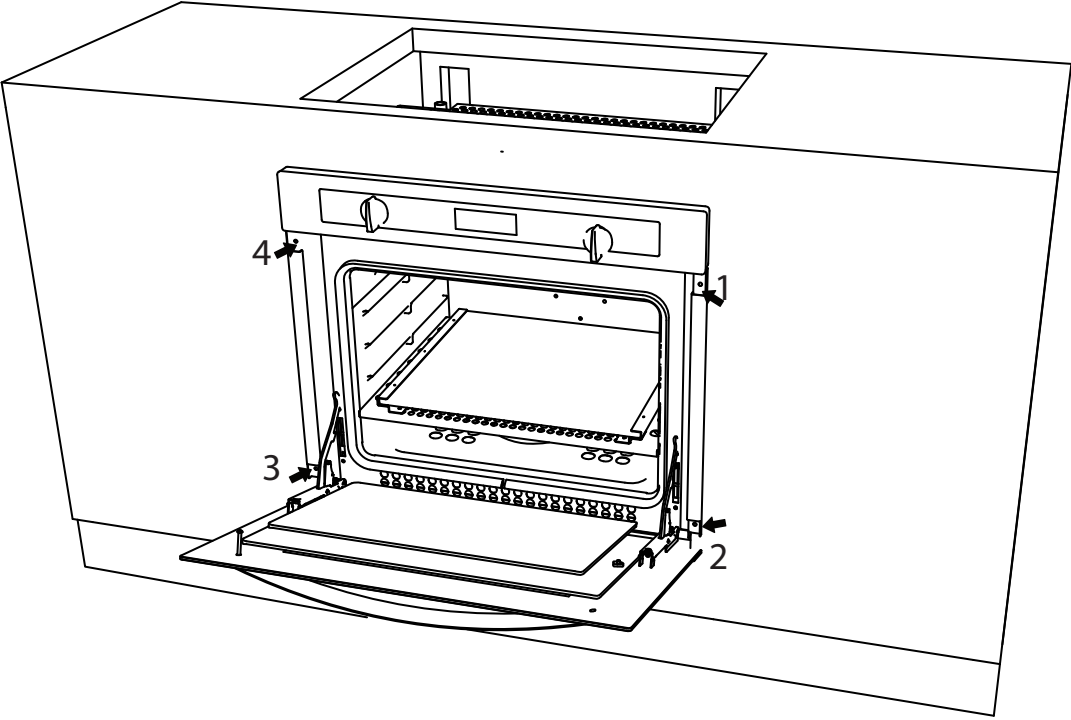
- 1 oven
- 2 vent
- 3 vent screws
- 4 vent cover
- 5 vent cover screws



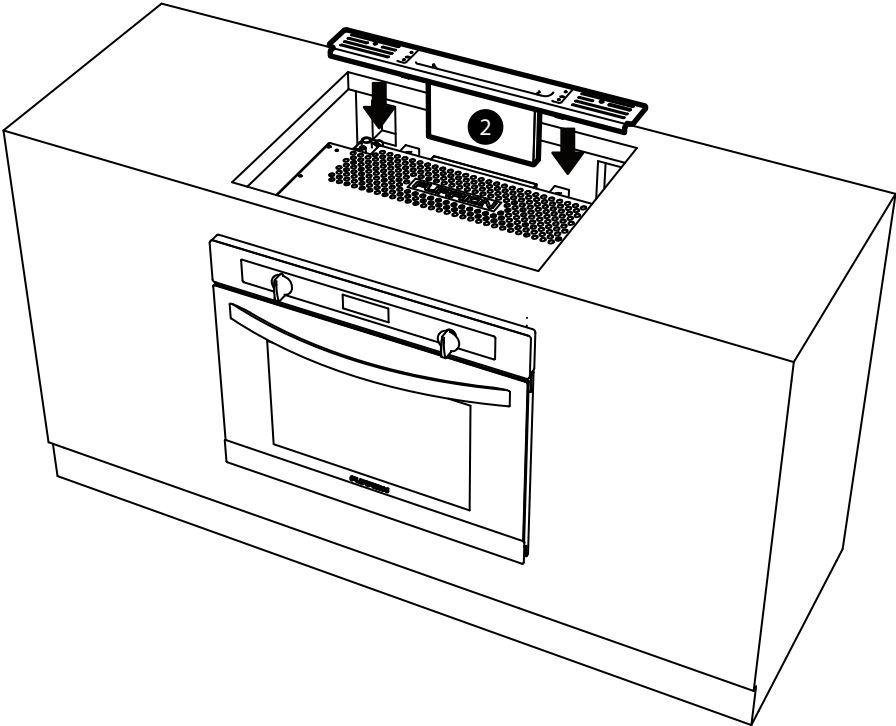
STEP 2 - Push the oven into the cut out perfectly and then connect the gas pipe & 12V power.



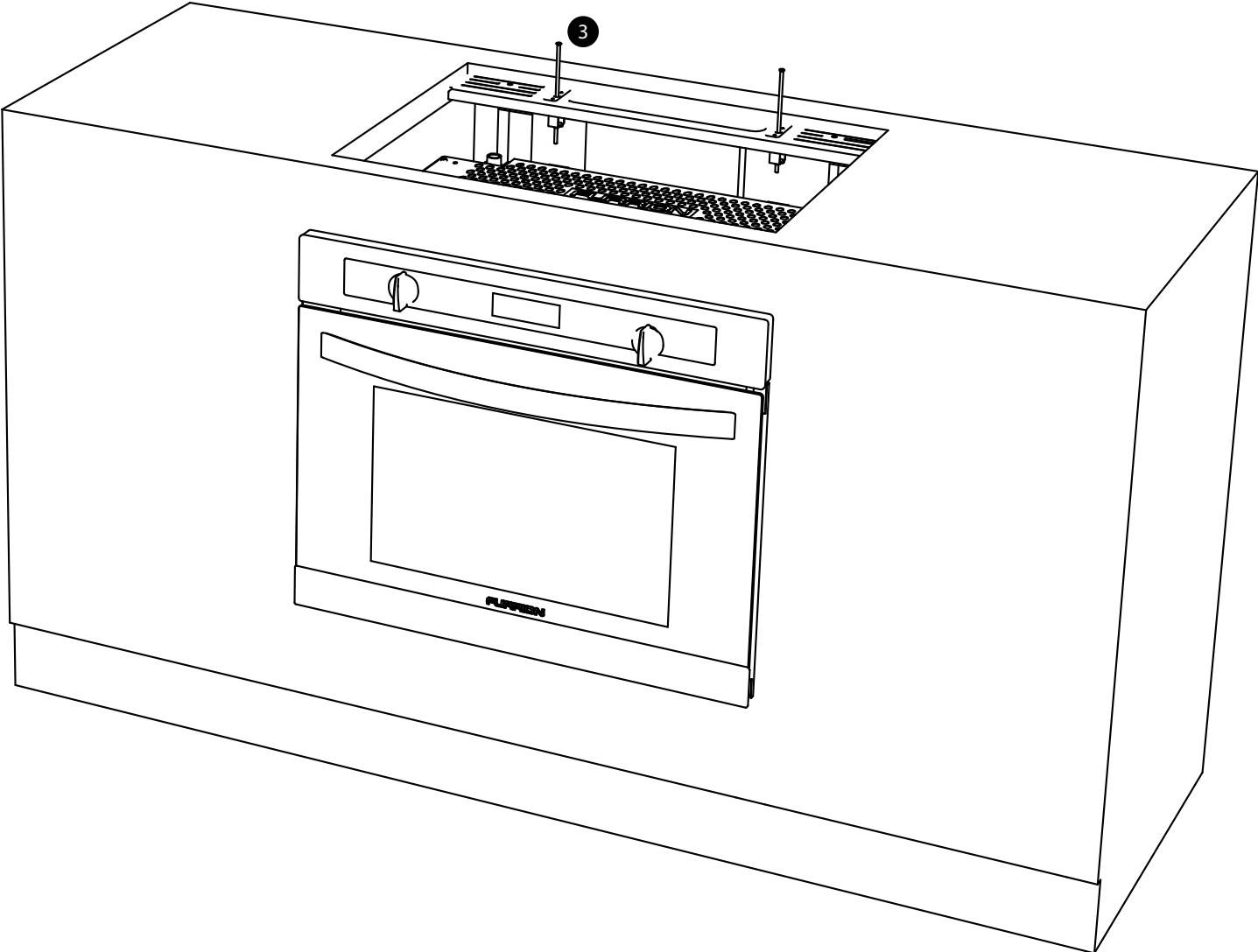
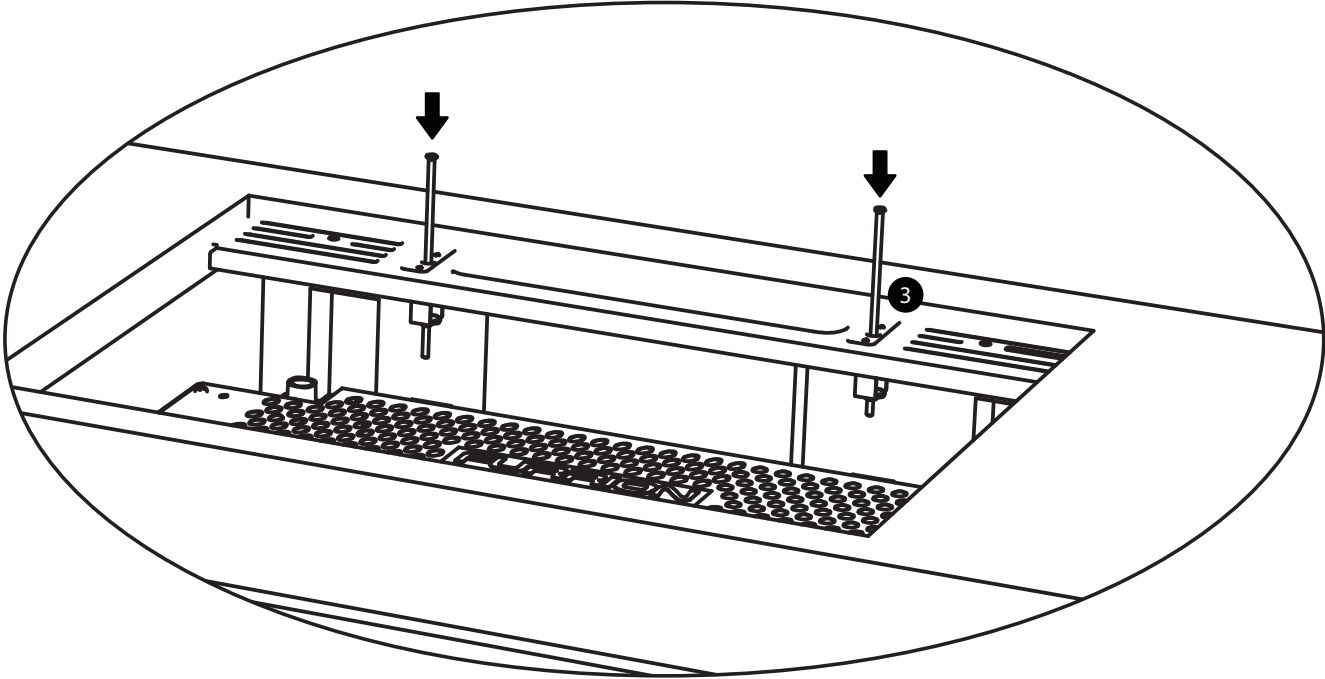
STEP 3 - Open the oven door and screw 4 screws



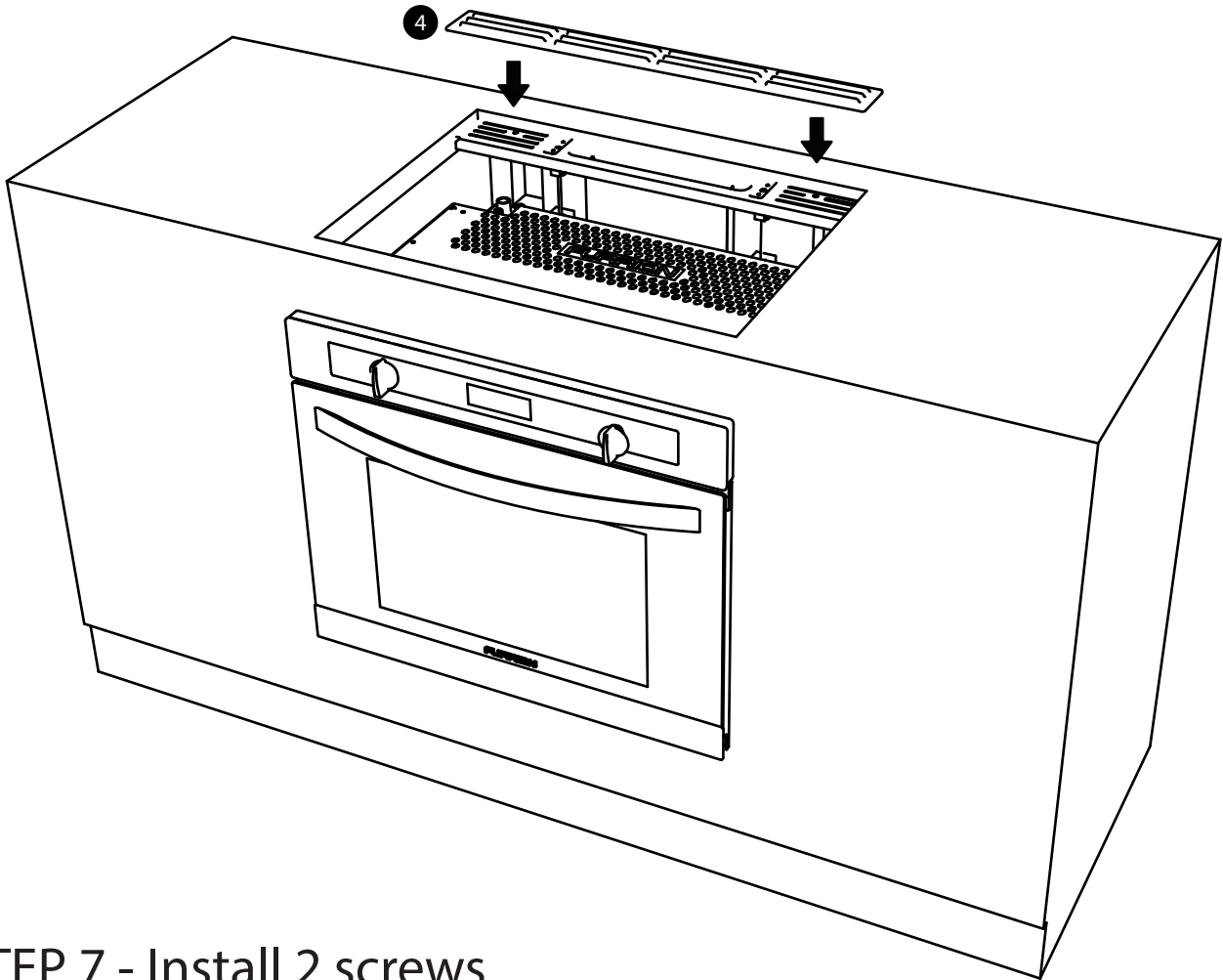
STEP 4 - Slide the vent assembly over the oven outlet flange



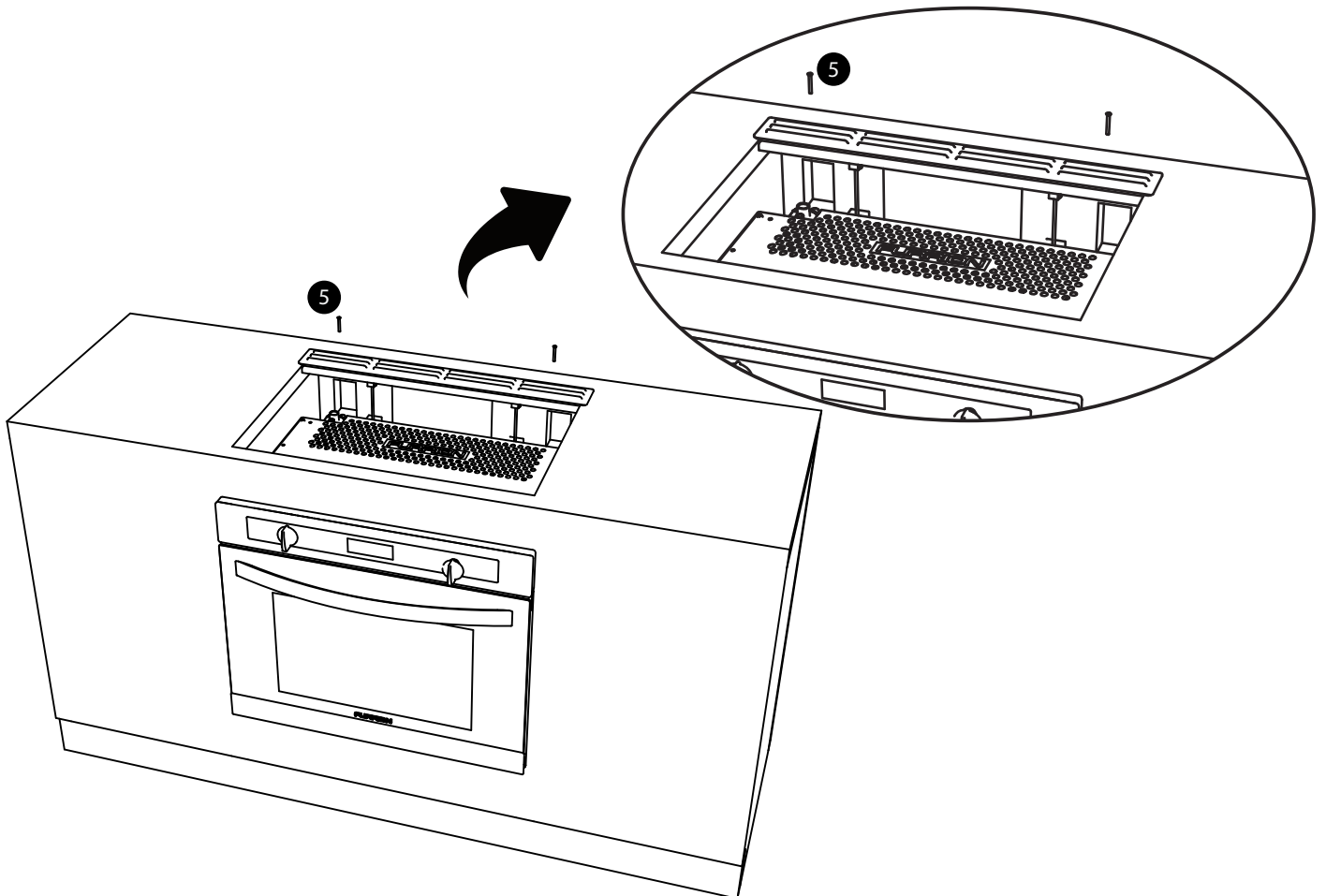
STEP 5 - Install 2 vent screws to secure the vent



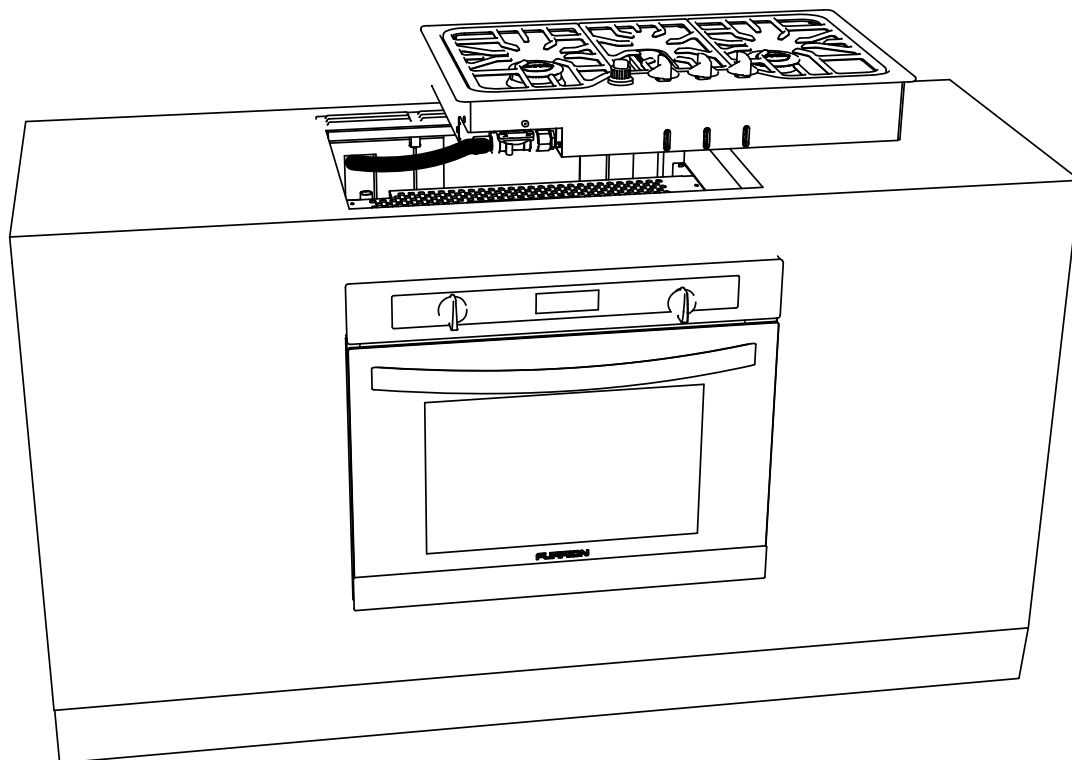
STEP 6 - Mount the vent cover over the vent



STEP 7 - Install 2 screws



STEP 8 - Connect the cooktop gas pipe



STEP 9 - Install the cooktop

